

## 5004-M-110 QUANTA-FLAME PRIMARY CONTROL

### System Overview

The Quanta-Flame 5004-M-110 controller is a state-of-the-art microcomputer based Burner Management System designed for a single burner boiler or process heat application. An LCD display provides real-time diagnostic and status messages for the operator.

Unlike other flame safeguard controllers that require a variety of modules to make a complete system (programmers, flame amplifiers, displays, etc.) the Preferred Quanta-Flame 5004-M-110 has just one processor with a built-in universal amplifier that accepts UV, IR and Flame Rod inputs.

Service technicians can carry this one processor on their trucks and be equipped to replace a large number of existing flame safeguard controller combinations.



*Quanta-Flame Primary Control*

The 5004-M-110 mounts directly into an existing 60-1466-2 or 60-1386-2 wiring sub-base. The 5004-M-110 interfaces to the annunciator QA 5004-85 when additional annunciation is required. Existing flame sensors and scanners can be reused. An auxiliary connector is used for interface with Modbus communication or to provide a remote reset function.

#### *Quanta-Flame Primary Control Dimensions*

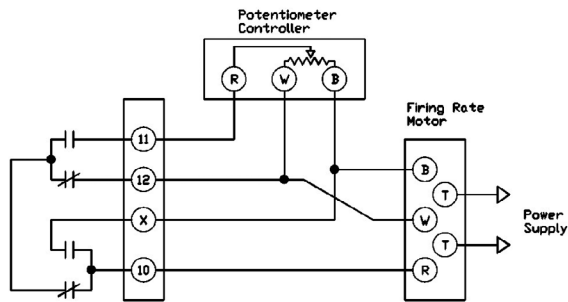
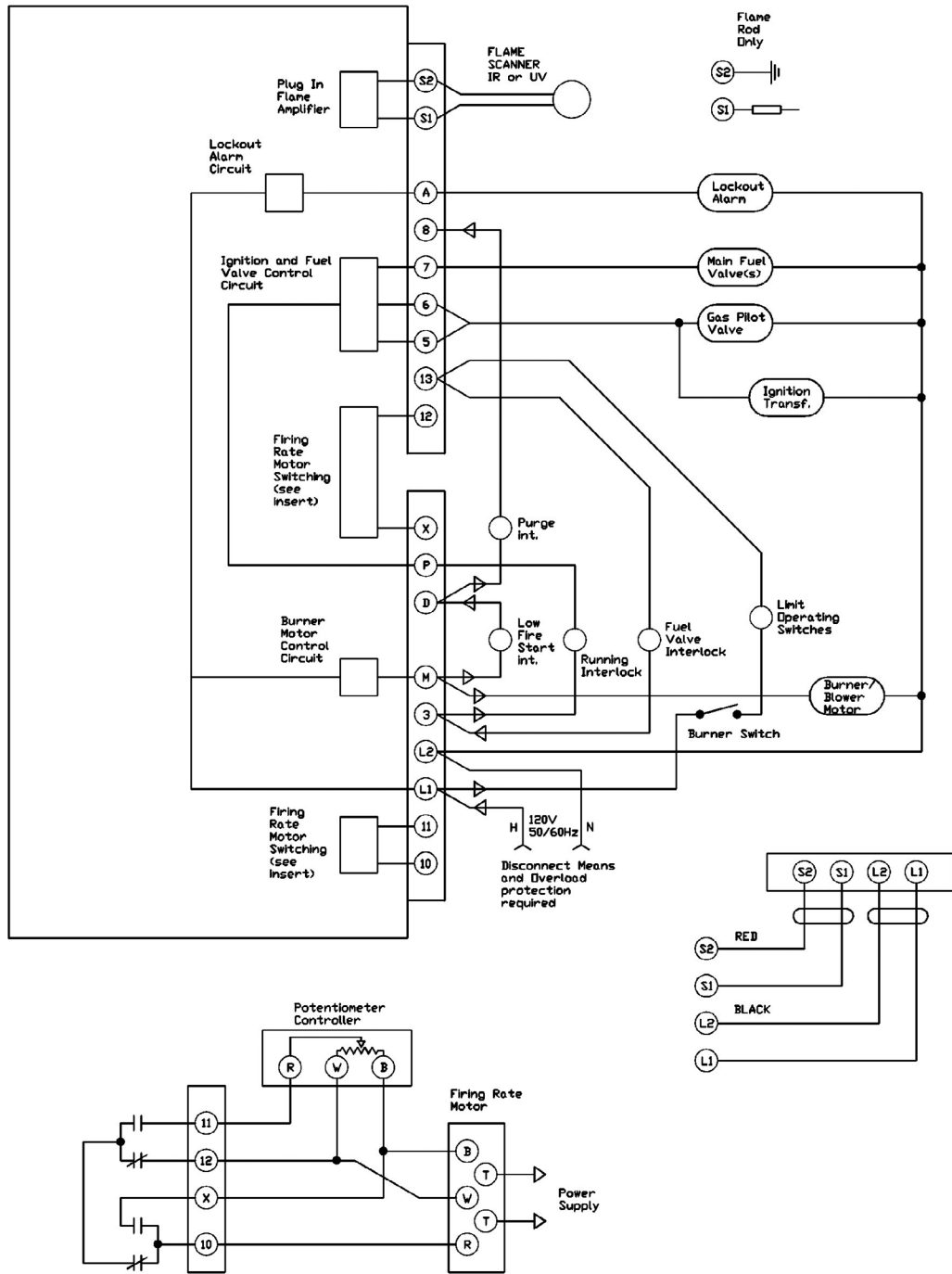
The 5004-M-110 replaces the following Fireye E110 combinations:  
E110 Flame monitor consisting of EB700 Chassis and EC600 Dust cover

#### E110 Compatibility:

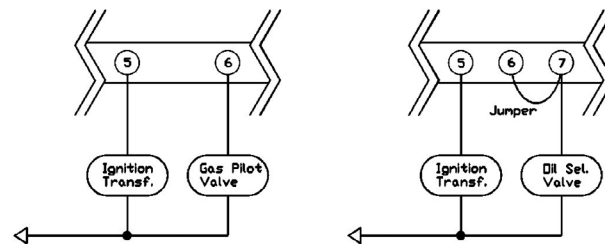
Any of these Amplifiers	Any of these Programmers
EUV1-Standard UV	EP160
E1R1-Infrared	EP161
E1R2-Infrared	EP170
E1R3-Infrared	EPD160
ERT1-Flame Rectification	EPD161
	EPD170

# 5004-M-110 QUANTA-FLAME PRIMARY CONTROL

## System Overview



TYPICAL WIRING ARRANGEMENT FOR PILOT IGNITED BURNER



Quanta-Flame Primary Control Wiring Diagram

Instruments & Controls